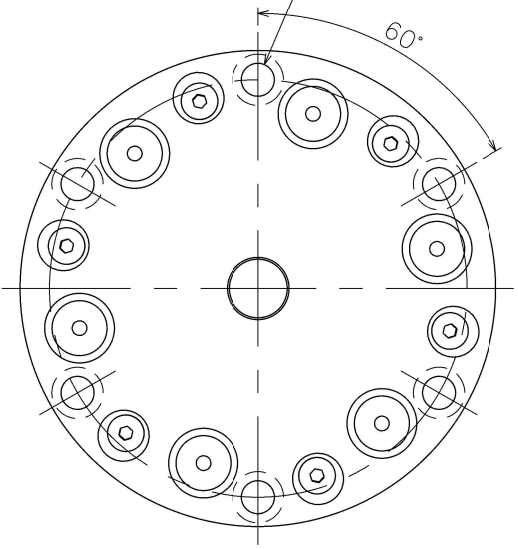
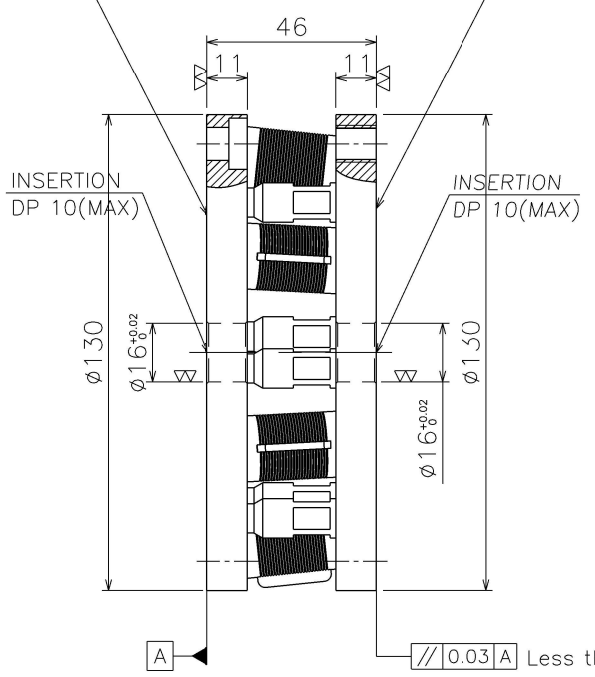


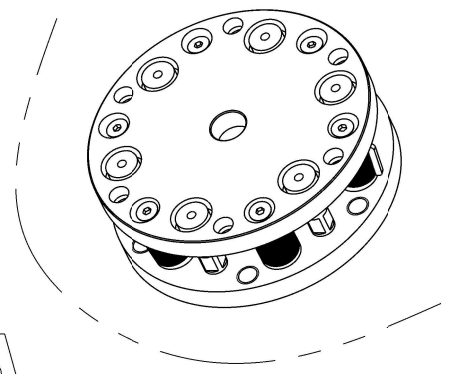
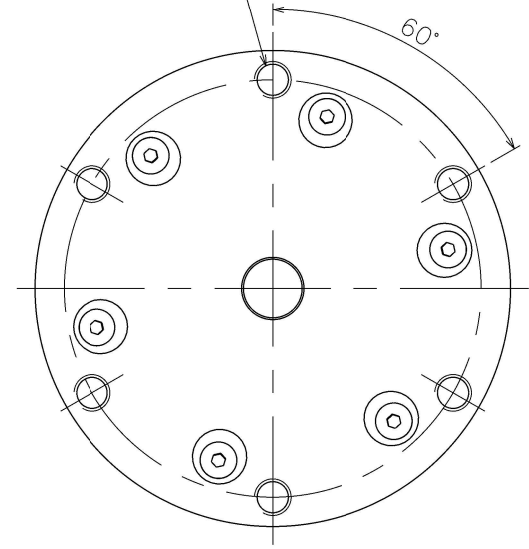
6- $\phi$ 9 DRILL THRU  
 $\phi$ 14 C'BORE DP 5  
 P.C.D 114  
 (USER MOUNTING HOLE)



MACHINE SIDE TOOL SIDE



6-M10 TAP THRU  
 P.C.D 114  
 (USER MOUNTING TAP)  
 BOLT LENGTH MAX 11



A  $\parallel$  0.03 A Less than (Free status)

DATE	2019.07.15	00	A6-150-130(USER)			1	
MATERIAL	AL6061	NO.	NAME			Q'TY	REMARK
HEAT TREATMENT	HrC 00	SCALE	DRAWN	DESIGNED	APPROVED	TITLE	A6-150-130
AFTER TREATMENT	00	1/1	CSW	CSW			
WEIGHT	1.0 kg	A2		C&M Robotics Co., Ltd.		DWG NO.	
FINISHING	00	PROJECTION					